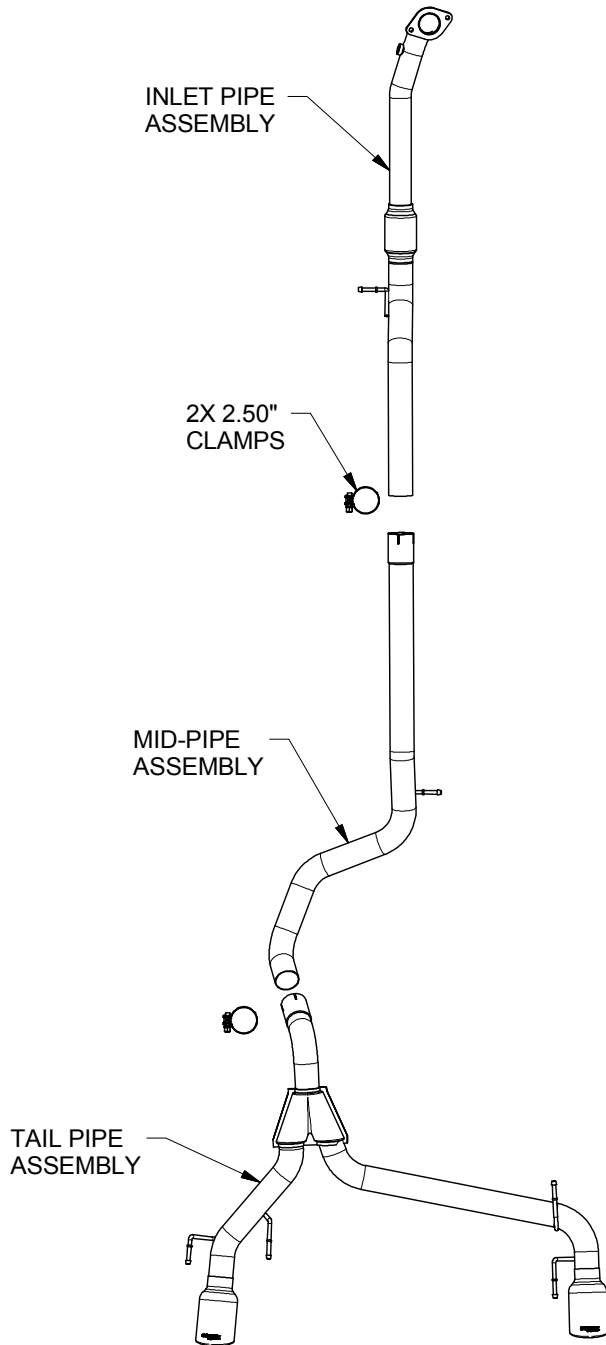


2012-2013 Fiat Abarth 1.4L Turbo



Warning When working on, under, or around any vehicle exercise caution. Please allow the vehicle's exhaust system to cool before removal, as exhaust system temperatures may cause severe burns. If working without a lift, always consult vehicle manual for correct lifting specifications. Always wear safety glasses and ensure a safe work area. Serious injury or death could occur if safety measures are not followed.

Step 1: (Carefully read all instructions before installation) Begin removal of the OEM exhaust system by unbolting the two hole flange from the Exhaust Manifold located at the front of the vehicle and loosen the clamp located mid-exhaust. Remove the hangers from the OEM insulators and remove the exhaust system. Be careful not to damage the OEM rubber isolators and save the OEM fasteners as they will be re-used to mount the new system.

Step 2: Using the OEM fasteners install the new system by bolting up the Inlet Pipe Assembly to the Manifold and by fitting the welded hanger into the OEM rubber insulator. Use the supplied 2.50" clamp to loosely fasten the Mid-Pipe Assembly to the Inlet pipe Assembly and fit the welded hanger into the OEM rubber isolators. Install the Muffler Assembly in the same fashion.

Step 3: With all components mounted loosely, adjust the system for overall aesthetics and clearance of frame & bodywork. (MAGNAFLOW recommends at least 1/2" of clearance between the exhaust system and any body panels to prevent heat-related body damage or fire.)

Step 4: Once a final position has been chosen for the new system, evenly tighten all fasteners from front to rear. The supplied band clamps must be VERY tight to properly align the pipes and prevent leaks (Approximately 40ft-lbs). Inspect all fasteners after 25-50 miles of operation and retighten if necessary.

**** Magnaflow Performance Exhaust recommends professional installation on all their products**