

CARDONE™ ProTech®

Supporting Today's Vehicle Technician



Defective Power Steering Hoses Allow Air in the System

Problem

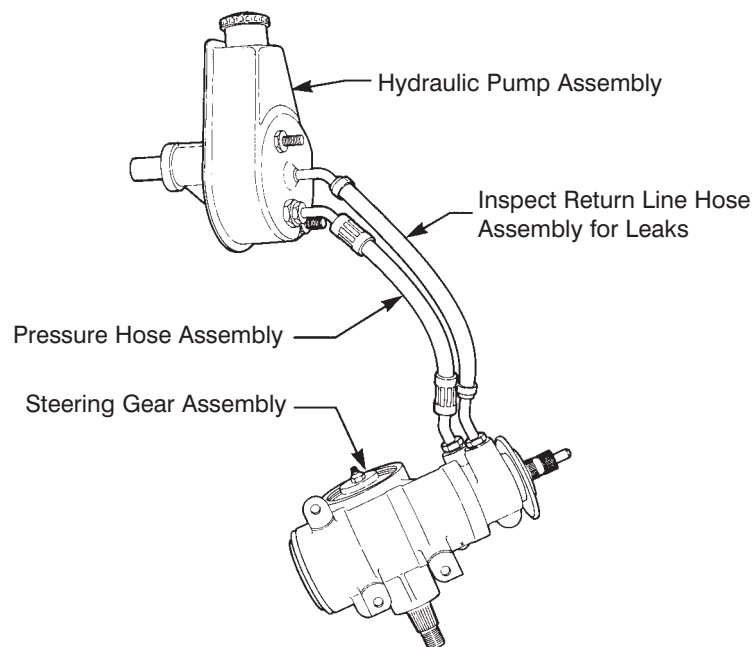
Power steering fluid foams, causing power steering noise.

Cause

The return hose from the reservoir to the power steering gear may be brittle and have cracks, pinholes, or loose clamps. This allows air to enter the fluid. Use the following procedure to diagnose the system:

Solution

Run the engine to operating temperature. With engine off, gently pressurize the power steering pump reservoir (do not exceed 8 PSI). Look for a leak on the return hose. Repair or replace as necessary.



Note

Rack and pinion system similar.