



NOT LEGAL FOR SALE OR USE ON ANY POLLUTION CONTROLLED MOTOR VEHICLE IN CALIFORNIA OR STATES ADOPTING CALIFORNIA EMISSION PROCEDURES.

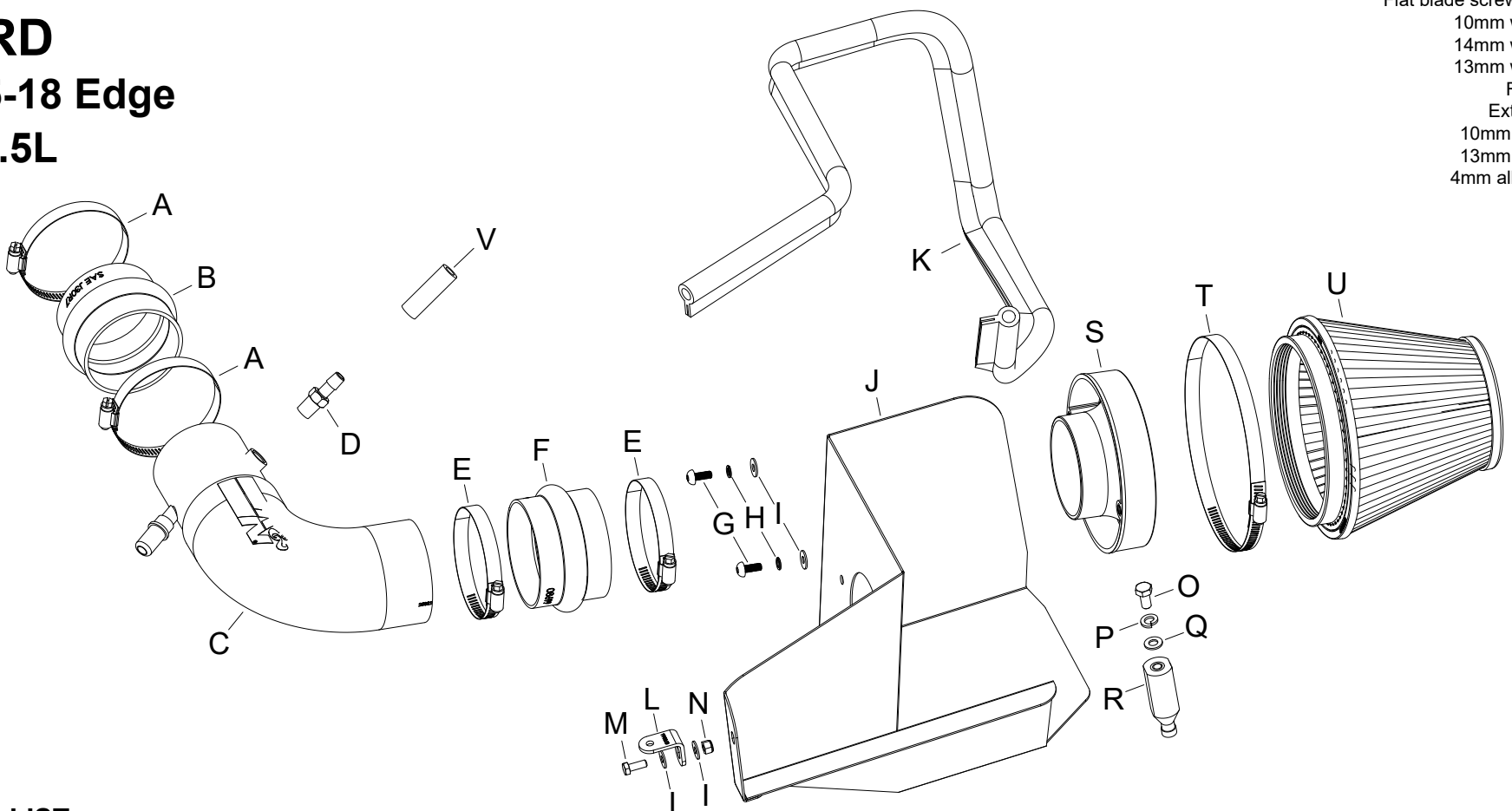
See knfilters.com for CARB status on each part for a specific vehicle

INSTALLATION INSTRUCTIONS

77-2592KS
FORD
2015-18 Edge
V6-3.5L

TOOLS NEEDED:

Flat blade screw driver
 10mm wrench
 14mm wrench
 13mm wrench
 Ratchet
 Extension
 10mm socket
 13mm socket
 4mm allen key



PARTS LIST:

Description	Qty.	Part #	Description	Qty.	Part #	Description	Qty.	Part #
A HOSE CLAMP; #52	2	08610	I WASHER; 6MM FLAT, SS	4	08269	Q WASHER; 5/16"ID X 5/8"OD	1	08276
B HOSE; HUMP 3.25"ID X 2-5/8"L	1	08171	J HEAT SHIELD; 77-2592, MILD	1	073285	R STANDOFF; 6.0 FORD AIRBOX	1	06532
C TUBE; 3.25"OD TO 3.5"OD	1	25821S	K EDGE TRIM; 3/4" BULB, TOP	1	102490	S ADAPTER; UNIVERSAL, 6"	1	21512-1
D VENT, STRT, 3/8"HOSE, 1/4"	1	08047	L BRACKET; 69-2521, "L", SML	1	070066A	T HOSE CLAMP; #104	1	08697
E HOSE CLAMP; #56	2	08620	M BOLT; M6-1.00 X 16MM, SS	1	07812	U 6"FLG, 7-1/2"B, 4-1/2"T, 6"H	1	RF-10480
F HOSE; HUMP 3.5"ID X 2.5"L	1	08699	N NUT; 6MM NYLOCK, HEXHEAD	1	07512	V HOSE; 3/8"ID X 2"L	1	5-1002
G BOLT; M6 X 1.00 X 16MM, SS	2	07730	O BOLT; 8MM-1.25 X 16MM	1	07844			
H WASHER; M6 SPLIT LOCK ZINC	2	1-3025	P WASHER; M8 SPLIT LOCK ZINC	1	1-3036			

If you need any assistance please call 1-800-858-3333 to speak with a representative in our Customer Service Center before returning the product.

NOTE: FAILURE TO FOLLOW INSTALLATION INSTRUCTIONS AND NOT USING THE PROVIDED HARDWARE MAY DAMAGE THE INTAKE TUBE, THROTTLE BODY AND ENGINE.

TO START:

1. Turn off the ignition and disconnect the negative battery cable.

NOTE: Disconnecting the negative battery cable erases pre-programmed electronic memories. Write down all memory settings before disconnecting the negative battery cable. Some radios will require an anti-theft code to be entered after the battery is reconnected. The anti-theft code is typically supplied with your owner's manual. In the event your vehicles anti-theft code cannot be recovered, contact an authorized dealership to obtain your vehicles anti-theft code.



2. Loosen the hose clamp that secures the intake tube to the throttle body.



3. Disconnect the crank case vent hose from the factory intake tube and unhook the vent line that is attached to the tube.



4. Disconnect the EVAP vent line and fitting from the intake tube. Loosen the hose clamp securing the intake tube to the air filter housing.



5. Remove the intake tube from the vehicle. **NOTE: K&N Engineering, Inc., recommends that customers do not discard factory air intake.**



6. Remove the two bolts securing the fresh air intake duct to the core support. **NOTE: These bolts will be reused in a later step.**



7. Lift the air filter housing assembly to dislodge it from the mounting grommets and then remove the housing from the vehicle.

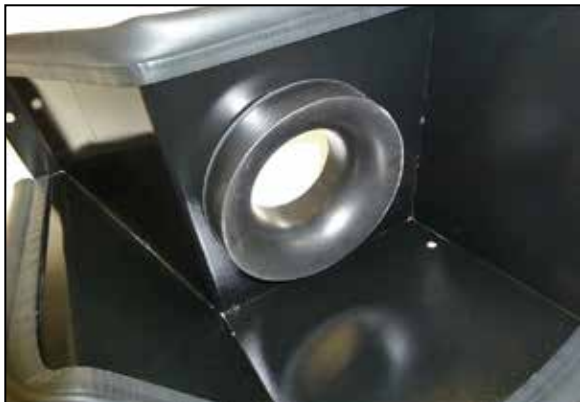


8. Install the provided hump coupler (08171) onto the throttle body and secure with the provided hose clamp.



9. Install the provided edge trim onto the heat shield as shown.

NOTE: Some trimming of the edge trim will be necessary.



10. Install the provided filter adapter into the heat shield as shown using the provided hardware.



11. Install the mounting stud onto the heat shield using the provided hardware.



12. Install the provided mounting bracket onto the heat shield using the provided hardware.



13. Install the heat shield assembly so the mounting stud inserts into the factory mounting grommet and then secure with the factory fresh air duct mounting bolts.



14. Install the provided hump coupler (08699) onto the filter adapter and secure with the provided hose clamp.



15. Install the provided vent fitting and EVAP hose onto the K&N® intake tube as shown.

NOTE: Plastic NPT fittings are easy to cross thread. Install the vent fitting "hand" tight, then turn it two complete turns with a wrench.



16. Install the K&N® intake tube into the coupler and adjust for best fit, then secure with the provided hose clamps.



17. Connect the CCV fitting to the fitting on the intake tube and connect the EVAP line to the hose connect to the K&N® intake tube.



18. Install the K&N® air filter and secure with the provided hose clamp.

NOTE: Drycharger® air filter wrap; part # RF-1048DK is available to purchase separately. To learn more about Drycharger® filter wraps or look up color availability please visit <http://www.knfilters.com>®.



19. Reconnect the vehicle's negative battery cable. Double check to make sure everything is tight and properly positioned before starting the vehicle.

20. It will be necessary for all K&N® high flow intake systems to be checked periodically for realignment, clearance and tightening of all connections. Failure to follow the above instructions or proper maintenance may void warranty.

ROAD TESTING:

1. Start the engine with the transmission in neutral or park, and the parking brake engaged. Listen for air leaks or odd noises. For air leaks secure hoses and connections. For odd noises, find cause and repair before proceeding. This kit will function identically to the factory system except for being louder and much more responsive.

2. Test drive the vehicle. Listen for odd noises or rattles and fix as necessary.

3. If road test is fine, you can now enjoy the added power and performance from your kit.

4. K&N Engineering, Inc., requires cleaning the intake system's air filter element every 100,000 miles. When used in dusty or off-road environments, our filters will require cleaning more often. We recommend that you visually inspect your filter once every 25,000 miles to determine if the screen is still visible. When the screen is no longer visible some place on the filter element, it is time to clean it. To clean and re-oil, purchase our filter Recharger® service kit, part number 99-5050 or 99-5000 and follow the easy instructions.

NOT LEGAL FOR SALE OR USE ON ANY POLLUTION CONTROLLED MOTOR VEHICLE IN CALIFORNIA OR STATES ADOPTING CALIFORNIA EMISSION PROCEDURES.

See knfilters.com for CARB status on each part for a specific vehicle