



# TYPHOON INTAKE SYSTEMS

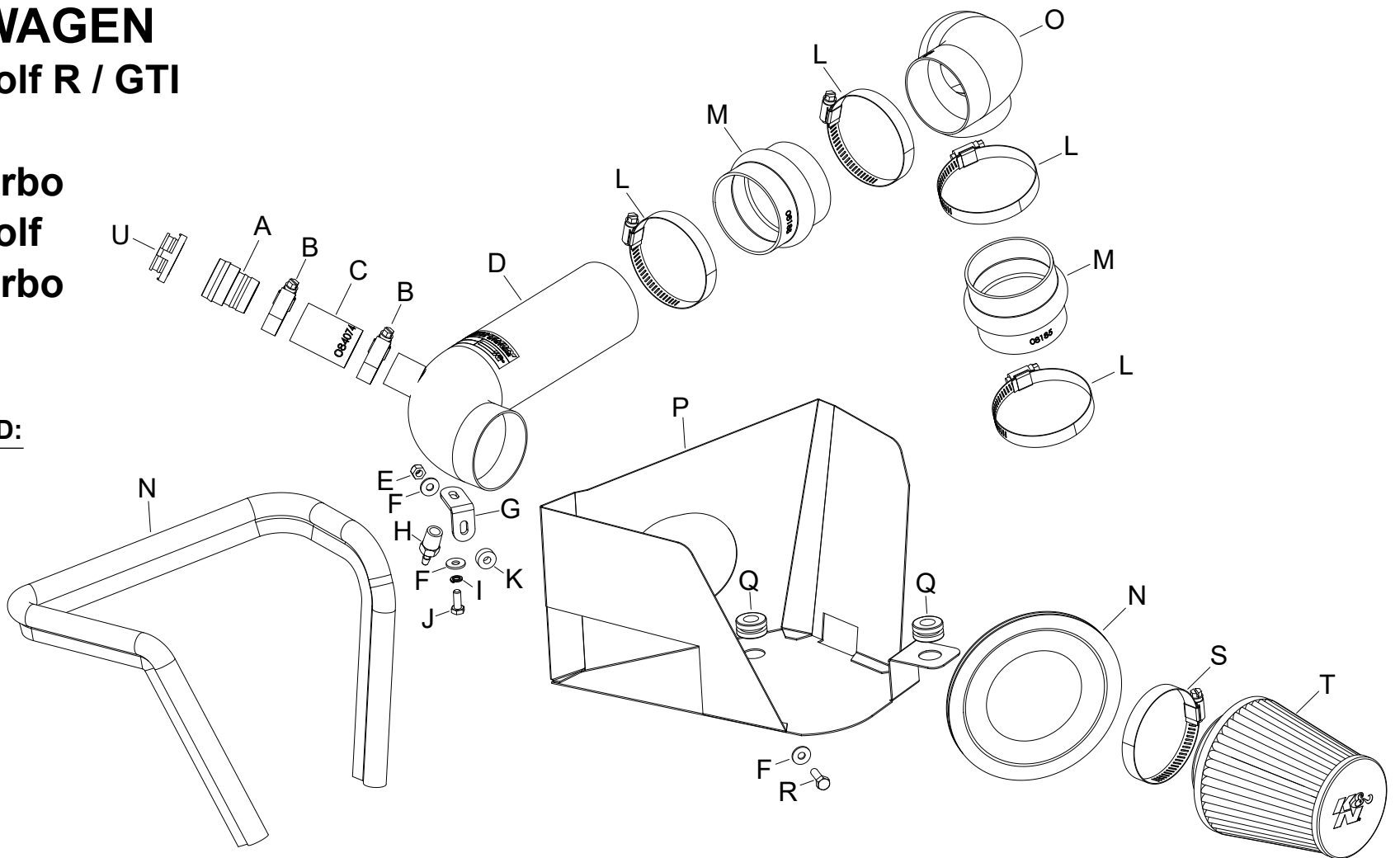
NOT LEGAL FOR SALE OR USE ON ANY POLLUTION CONTROLLED MOTOR VEHICLE IN CALIFORNIA OR STATES ADOPTING CALIFORNIA EMISSION PROCEDURES.  
See knfilters.com for CARB status on each part for a specific vehicle

## INSTALLATION INSTRUCTIONS

**69-9506TTK**  
**VOLKSWAGEN**  
**2015-19 Golf R / GTI**  
**2019 Jetta**  
**L4-2.0L Turbo**  
**2015-19 Golf**  
**L4-1.8L Turbo**

### TOOLS NEEDED:

- flat blade screw driver
- ratchet
- 10mm socket
- 10mm wrench



### PARTS LIST:

Description	Qty.	Part #	Description	Qty.	Part #	Description	Qty.	Part #
A ADAPTOR; 1-1/8"OD QUICK	1	088012	H VENT; STRT, 3/16 BARBED 1/4"	1	080021	O TUBE; 2-3/4"OD X 11"L, AL	1	27336
B HOSE CLAMP #16	2	08413	I WASHER, M6 SPLIT LOCK ZINC	1	1-3025	P HEAT SHIELD	1	073181
C HOSE; 1-1/8" ID X 2" L	1	084074	J BOLT; 6MM-1.00 X 16MM, SS	1	07812	Q GROMMET; 1"OD, 1/2"ID, 1/2"	2	08064
D TUBE; 2-3/4"OD X 13"L, AL	1	27337	K SPACER: .625" OD X .250"ID	1	06555	R BOLT; M6 X 1.00" X 20MM HEX	1	07795
E NUT; 6MM NYLOCK, HEXHEAD	1	07512	L HOSE CLAMP #44 STAINLESS	4	08560	S HOSE CLAMP #44	1	08577
F WASHER; 6MM FLAT, SS	3	08269	M HOSE; 2-3/4" ID X 2-1/2" L	2	08185	T AIR FILTER	1	RC-9350
G BRACKET; "L", 69-7003, STL	1	064314	N EDGE TRIM (44")	1	102486	U PLUG; QUICK CONNECT	1	8-215

If you need any assistance please call 1-800-858-3333 to speak with a representative in our Customer Service Center before returning the product.

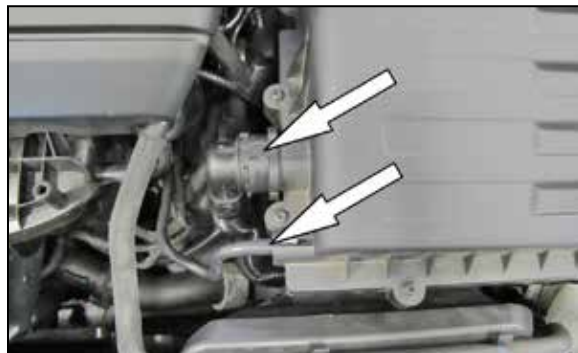
**NOTE: FAILURE TO FOLLOW INSTALLATION INSTRUCTIONS AND NOT USING THE PROVIDED HARDWARE MAY DAMAGE THE INTAKE TUBE, THROTTLE BODY AND ENGINE.**

### TO START:

1. Turn off the ignition and disconnect the negative battery cable.  
**NOTE: Disconnecting the negative battery cable erases pre-programmed electronic memories. Write down all memory settings before disconnecting the negative battery cable. Some radios will require an anti-theft code to be entered after the battery is reconnected. The anti-theft code is typically supplied with your owner's manual. In the event your vehicles anti-theft code cannot be recovered, contact an authorized dealership to obtain your vehicles anti-theft code.**



2. Loosen the hose clamp that secures the intake tube to the turbo inlet.



3. Disconnect the secondary air tube and vacuum hose from the air filter housing.  
**NOTE: Some vehicles may not be equipped with a secondary air tube.**



4. Lift up the air filter housing to dislodge it from the mounting grommets and then rotate the assembly up from the rear to disengage it from the fresh air intake and remove it from the vehicle.  
**NOTE: K&N Engineering, Inc., recommends that customers do not discard factory air intake.**

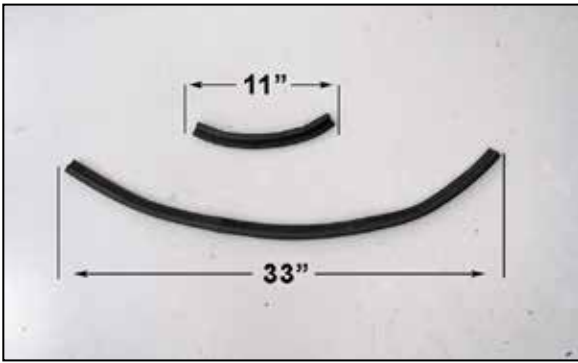


5. Install the two provided grommets into the heat shield as shown.



6. Install the provided tube mounting bracket (064314) onto the heat shield as shown.  
**NOTE: be sure to place the provided spacer between the heat shield and bracket.**





7. Cut the provided edge trim into two sections, one section will be 11" long and the other will be 33" long.



8. Install the two sections of edge trim onto the heat shield as shown.



9. Remove the fresh air intake scoop from the factory air filter housing.



10. Install the fresh air intake scoop into the heat shield assembly as shown.



11. Install the heat shield assembly onto the factory air filter housing mounting studs.



12. Install one of the provided coupling hoses (08185) onto the turbo inlet and secure with the provided hose clamp.



13. Install the provided vacuum fitting into the K&N® intake tube as shown.

**NOTE: Plastic NPT fittings are easy to cross thread. Install the vent fitting "hand" tight, then turn it two complete turns with a wrench.**



14. Assemble the Secondary air hose and fitting as shown.



15. Install the secondary air fitting onto the K&N® intake tube as shown.



16. Install the remaining coupling hose (08185) onto the K&N® intake tube as shown.



17. Install the intake tube assembly into the heat shield and secure it to the bracket installed onto the heat shield using the provided hardware.



18. Install the rear K&N® intake tube into the coupling hose on the front intake tube and then into the coupling hose at the turbo inlet, adjust the tubes for best fit and then secure with the provided hose clamps.



19. Connect the secondary air hose onto the Quick disconnect fitting and connect the vacuum line to the fitting installed into the K&N® intake tube.

**NOTE: On vehicles not equipped with a secondary air tube, install the provided cap into the fitting installed on the K&N® intake tube.**



20. Install the K&N® air filter onto the intake tube and secure with the provided hose clamp.



21. Reconnect the vehicle's negative battery cable. Double check to make sure everything is tight and properly positioned before starting the vehicle.

22. It will be necessary for all K&N® high flow intake systems to be checked periodically for realignment, clearance and tightening of all connections. Failure to follow the above instructions or proper maintenance may void warranty.

#### ROAD TESTING:

1. Start the engine with the transmission in neutral or park, and the parking brake engaged. Listen for air leaks or odd noises. For air leaks secure hoses and connections. For odd noises, find cause and repair before proceeding. This kit will function identically to the factory system except for being louder and much more responsive.

2. Test drive the vehicle. Listen for odd noises or rattles and fix as necessary.

3. If road test is fine, you can now enjoy the added power and performance from your kit.

4. K&N Engineering, Inc., requires cleaning the intake system's air filter element every 100,000 miles. When used in dusty or off-road environments, our filters will require cleaning more often. We recommend that you visually inspect your filter once every 25,000 miles to determine if the screen is still visible. When the screen is no longer visible some place on the filter element, it is time to clean it. To clean and re-oil, purchase our filter Recharger® service kit, part number 99-5050 or 99-5000 and follow the easy instructions.

**NOT LEGAL FOR SALE OR USE ON ANY POLLUTION CONTROLLED MOTOR VEHICLE IN CALIFORNIA OR STATES ADOPTING CALIFORNIA EMISSION PROCEDURES.**

See [knfilters.com](http://knfilters.com) for CARB status on each part for a specific vehicle