



INTAKE SYSTEMS FOR VEHICLES LISTED ARE 50 STATE LEGAL. SEE KNFILTERS.COM FOR CARB STATUS ON EACH PART FOR A SPECIFIC VEHICLE.

# INSTALLATION INSTRUCTIONS

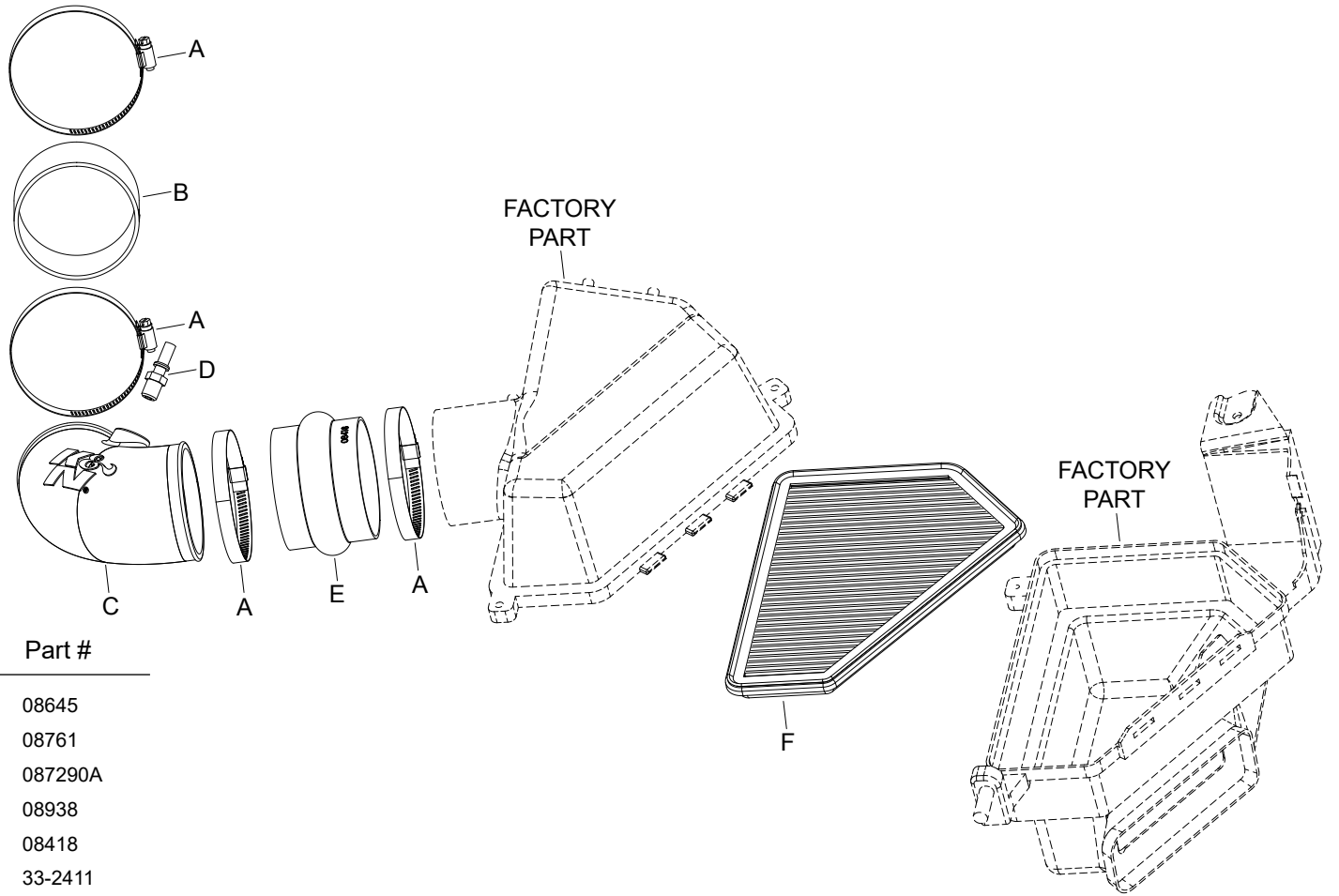
**57-3086**  
**CADILLAC**  
**2009-15 CTS-V**  
**V8-6.2L SC**

**TOOLS NEEDED:**

- Ratchet
- Extension
- T25 TORX
- Flat Blade Screw Driver

**PARTS LIST:**

Description	Qty.	Part #
A HOSE CLAMP #64 STAINLESS	4	08645
B HOSE; 4" ID X 2" L REIN.	1	08761
C INTAKE TUBE	1	087290A
D VENT; STRT, 1/4" NPT	1	08938
E HOSE; 4" ID X 3"L HUMP	1	08418
F AIR FILTER	1	33-2411



If you need any assistance please call 1-800-858-3333 to speak with a representative in our Customer Service Center before returning the product.

**NOTE: FAILURE TO FOLLOW INSTALLATION INSTRUCTIONS AND NOT USING THE PROVIDED HARDWARE MAY DAMAGE THE INTAKE TUBE, THROTTLE BODY AND ENGINE.**

**TO START:**

1. Turn off the ignition and disconnect the negative battery cable.  
**NOTE: Disconnecting the negative battery cable erases pre-programmed electronic memories. Write down all memory settings before disconnecting the negative battery cable. Some radios will require an anti-theft code to be entered after the battery is reconnected. The anti-theft code is typically supplied with your owner's manual. In the event your vehicles anti-theft code cannot be recovered, contact an authorized dealership to obtain your vehicles anti-theft code.**



2. Lift up and remove the decorative engine cover from the engine.



3. Lift up and remove the decorative strut tower cover.



4. Release the locking tab and disconnect the crank case vent hose.



5. Loosen the two hose clamps securing the factory intake tube and then remove the intake tube from the vehicle.

**NOTE: K&N Engineering, Inc., recommends that customers do not discard factory air intake.**



6. Disconnect the mass air sensor electrical connection.



7. Loosen the three screws securing the upper air filter housing and then remove the housing and factory air filter.



8. Install the provided K&N® air filter and re-secure the upper air filter housing with the factory screws. Reconnect the mass air sensor electrical connection.



9. Install the provided coupler hose (08761) onto the throttle body and secure with the provided hose clamp.



10. Install the provided hump coupler (08418) onto the air filter housing and secure with the provided hose clamp.



11. Install the provided quick disconnect fitting into the K&N intake tube as shown.  
**NOTE: Plastic NPT fittings are easy to cross thread. Install the vent fitting "hand" tight, then turn it two complete turns with a wrench.**



12. Install the K&N® intake tube into the hump coupler and then into the throttle body coupler. Adjust the tube for best fit and then secure with the provided hose clamps.



13. Connect the crank case vent hose to the quick disconnect fitting.



14. Reinstall the decorative strut cover.



15. Reinstall the decorative engine cover.



16. Reconnect the vehicle's negative battery cable. Double check to make sure everything is tight and properly positioned before starting the vehicle.

17. The C.A.R.B. exemption sticker, (attached), must be visible under the hood so that an emissions inspector can see it when the vehicle is required to be tested for emissions. California requires testing every two years, other states may vary.

18. It will be necessary for all K&N® high flow intake systems to be checked periodically for realignment, clearance and tightening of all connections. Failure to follow the above instructions or proper maintenance may void warranty.

#### ROAD TESTING:

1. Start the engine with the transmission in neutral or park, and the parking brake engaged. Listen for air leaks or odd noises. For air leaks secure hoses and connections. For odd noises, find cause and repair before proceeding. This kit will function identically to the factory system except for being louder and much more responsive.

2. Test drive the vehicle. Listen for odd noises or rattles and fix as necessary.

3. If road test is fine, you can now enjoy the added power and performance from your kit.

4. K&N Engineering, Inc., requires cleaning the intake system's air filter element every 100,000 miles. When used in dusty or off-road environments, our filters will require cleaning more often. We recommend that you visually inspect your filter once every 25,000 miles to determine if the screen is still visible. When the screen is no longer visible some place on the filter element, it is time to clean it. To clean and re-oil, purchase our filter Recharger® service kit, part number 99-5050 or 99-5000 and follow the easy instructions.

**INTAKE SYSTEMS FOR VEHICLES LISTED ARE 50 STATE LEGAL. SEE KNFILTERS.COM FOR CARB STATUS ON EACH PART FOR A SPECIFIC VEHICLE.**