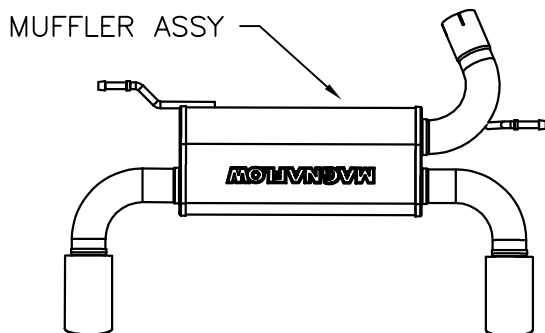
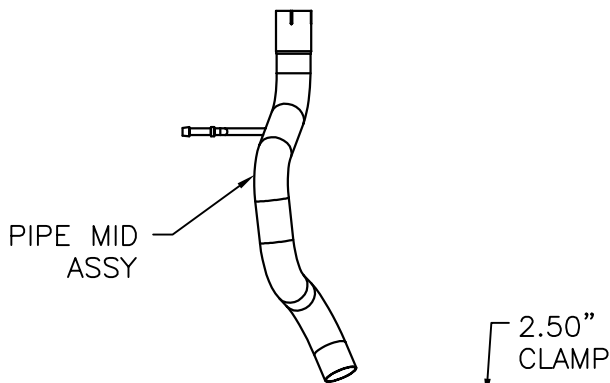
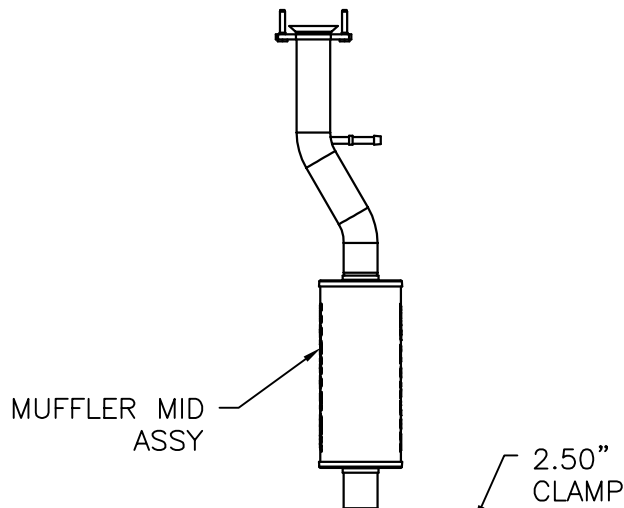


### 2005 HUMMER H3 3.5L 5cyl.

**Warning:** When working on, under, or around any vehicle exercise caution. Please allow the vehicle's exhaust system to cool before removal, as exhaust system temperatures may cause severe burns. If working without a lift, always consult vehicle manual for correct lifting specifications. Always wear safety glasses and ensure a safe work area. Serious injury or death could occur if safety measures are not followed.



**Step 1:** (Carefully read all instructions before installation) Disconnect the vehicle's battery before removal of the OEM exhaust. This will allow the computer to reset itself with the new system, and prevent electrical accidents. To remove the OEM exhaust system, unbolt the OEM fasteners from the flange location. Do not damage or discard the OEM fasteners and rubber insulators, as they will be re-used to mount the new system. To aid in the removal of the OEM system, cut the system directly behind the middle muffler. The OEM can now be removed by disengaging the welded hangers from the rubber insulators.

**Step 2:** Begin installing the new exhaust system using a front to rear method. Using the OEM fasteners, install the mid muffler assy at the flange location then insert the welded hanger in the OEM rubber insulator. Leave all clamps and fasteners loose for final adjustment of the complete system. Using a 2.50" clamp, install the mid pipe assy then insert the welded hanger in the OEM rubber insulator. Install the rear muffler assy in a similar fashion.

**Step 3:** With all components mounted loosely, adjust the system for overall aesthetics and clearance of frame & bodywork. (MAGNAFLOW recommends at least 1/2" of clearance between the exhaust system and any body panels to prevent heat-related body damage or fire.)

**Step 4:** Once a final position has been chosen for the new system, evenly tighten all fasteners from front to rear. The supplied band clamps must be VERY tight to properly align the pipes and prevent leaks (Approximately 65ft-lbs). U-bolt clamps should be tightened to approximately 30-35ft-lbs. Inspect all fasteners after 25-50 miles of operation and retighten if necessary.

\*MAGNAFLOW Performance Exhaust recommends professional installation on all their products

Technical support: 1-800-959-9226 ext. 4500