



AEROMOTIVE
Part # 13209
INSTALLATION INSTRUCTIONS



CAUTION:

Installation of this product requires detailed knowledge of automotive systems and repair procedures. We recommend that this installation be carried out by a qualified automotive technician.

Installation of this product requires handling of gasoline. Ensure you are working in a well ventilated area with an approved fire extinguisher nearby. Extinguish all open flames, prohibit smoking and eliminate all sources of ignition in the area of the vehicle before proceeding with the installation.

When installing this product, wear eye goggles and other safety apparel as needed to protect yourself from debris and sprayed gasoline.

WARNING!

The fuel system may be under pressure. Do not open the fuel system until any pressure has been relieved. Refer to the appropriate vehicle service manual for the procedure and precautions for relieving the fuel system pressure.

NOTE: Testing the enclosed regulator by applying air pressure or vacuum to the vacuum port with a hand-held pump will yield poor results, due to the slight air leakage through the adjustment screw threads. This minute leakage, which is typical of all adjustable fuel pressure regulators, does not, in any way, affect the performance of the regulator.

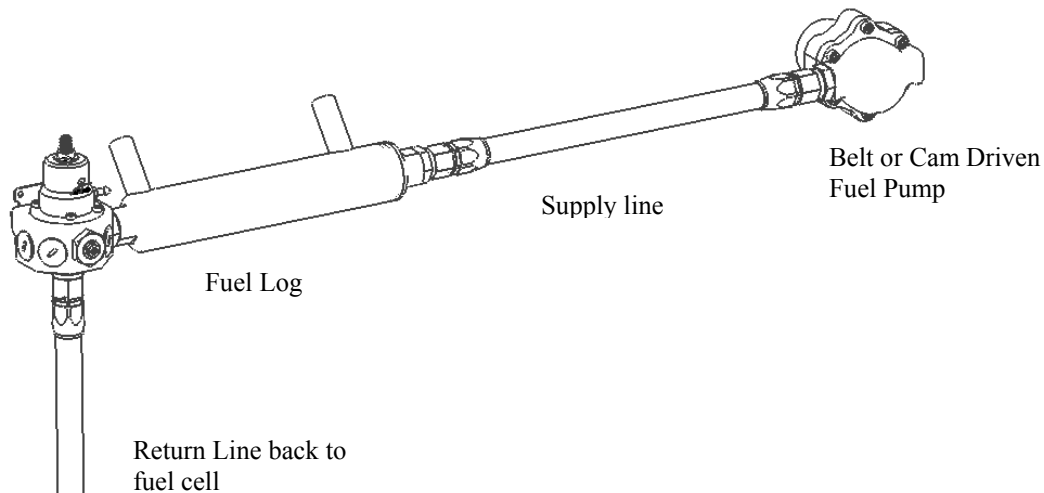
The enclosed Aeromotive regulator utilizes four o-ring sealed AN-08 inlet/outlet ports around the perimeter of the regulator and one o-ring sealed AN-10 style bypass port on the bottom of the regulator (This port requires a cutoff AN-10 style fitting Aeromotive P/N 156-08-F or equiv.); these regulator ports are NOT PIPE THREAD and utilize NO THREAD SEALANT.

The enclosed Aeromotive regulator is designed to be used with high flow (300 gph minimum) belt or cam driven fuel pumps similar to Aeromotive P/N 11105 or 11107. Performance may be degraded if a similar pump is not used.

Aeromotive system components are not legal for sale or use on emission controlled motor vehicles.

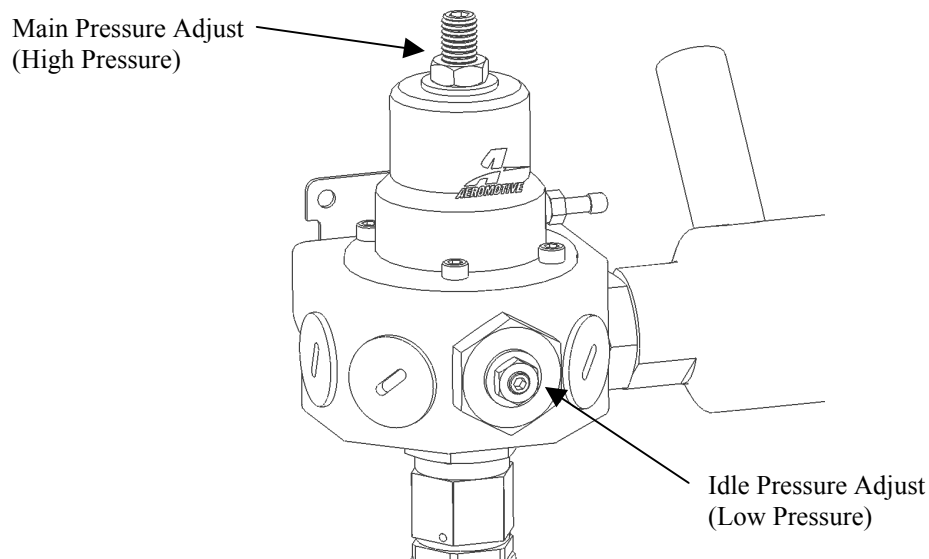
The following steps are typical of most installations:

1. Once the engine has been allowed to cool, disconnect the negative battery cable and relieve any fuel system pressure.
2. Place shop towels around the regulator to catch any gasoline that is spilled during this step of the installation. Remove any regulator mounting hardware and connecting fuel lines, then carefully remove the regulator.
3. Find a suitable place in the vehicle's engine compartment to mount the Aeromotive regulator. Using the supplied mounting bracket as a template, mark the bracket mounting holes and drill to accept a #10 screw.
4. With the bracket attached to the regulator, mount the bracket and regulator to the vehicle using two #10 screws, nuts and lock washers.



5. Attach the fuel supply line to one of the AN-08 ports located around the perimeter of the regulator using AN-8 style fittings and o-rings.
6. Attach the fuel return line to the AN-10 bypass port located at the bottom of the regulator using a cutoff AN-10 style fitting (Aeromotive P/N 15608 or equivalent) and o-ring.
7. If you are not using a fuel log, attach the fuel supply line(s) to the carburetor using any of the remaining AN-08 port around the perimeter of the regulator body using AN-08 style fittings and o-rings. Install AN-08 style plugs and o-rings into the outlet ports not used.
8. Tighten all connections.
9. Once the regulator is installed, attach a suitable fuel pressure gauge in the fuel system.

10. Loosen the ¼" jam nut on the idle pressure adjustment setscrew located on the FRONT of the regulator, carefully thread the set screw all the way in and tighten the jam nut.



11. **Ensure that any spilled gasoline and any gasoline soaked shop towels are cleaned up and removed from the vicinity of the vehicle!**
12. Reconnect the battery and prime the fuel system until the fuel pressure gauge registers fuel pressure, **WITHOUT** starting the car.
13. **With the fuel pressure gauge registering fuel system pressure, check for fuel leaks from and around the Aeromotive regulator and all fuel lines and connections! If any fuel leaks are found, remove any spilled fuel and repair the leak before proceeding!**
14. Once the fuel pressure gauge registers fuel system pressure and there are no fuel leaks, start the engine and hold at 2500-3000 RPM and adjust the regulator to the desired operating fuel pressure (Regulator is adjustable from 3-21 psi). Turning the adjustment screw clockwise will increase fuel pressure.
15. Once the desired operating fuel pressure is achieved, tighten the regulator adjustment jam nut.
16. Next, loosen the jam nut on the idle pressure adjustment setscrew (low pressure) and turn counter clockwise until the desired idle pressure is achieved with the engine running at an idle, this pressure must be lower than the operating system pressure. Once the desired pressure is achieved tighten the setscrew jam nut.
17. If you do not want to keep the fuel pressure gauge on the vehicle, relieve the fuel system pressure as instructed in the appropriate vehicle service manual. Remove the fuel pressure gauge and reinstall the a pipe plug into the gauge port, using thread sealant.
18. Test drive the vehicle to insure proper operation and re-check the fuel system for leaks. **If any leaks are found, immediately shut off the engine and repair the leak(s)!**

AEROMOTIVE, INC. LIMITED WARRANTY

This Aeromotive Product, with proof of purchase dated on or after January 1, 2003, is warranted to be free from defects in materials and workmanship for a period of one year from the original date of purchase. No warranty claim will be valid without authentic, dated proof of purchase.

This warranty is to the original retail purchaser and none other and is available directly from Aeromotive and not through any point of distribution or purchase.

If a defect is suspected, the retail purchaser must contact Aeromotive directly to discuss the problem, possible solutions and obtain a Return Goods Authorization (RGA), if deemed necessary by the company. Please call 913-647-7300 and dial option 3 for the technical service dept. All returns must be shipped freight pre-paid to the company and with valid RGA before they will be processed.

Aeromotive will examine any product returned with the proper authorization to determine if the failure resulted from a defect or from abuse, improper installation, misapplication or alteration. Aeromotive will then, at it's sole discretion, return, repair or replace the product.

If any Aeromotive product is determined defective, buyer's exclusive remedy is limited in value to the sale price of the good. In no event shall Aeromotive be liable for incidental or consequential damages.

Aeromotive expressly retains the right to make changes and improvements in any product it manufactures and sells at any time. These changes and improvements may be made without notice at any time and without any obligation to change the catalogs or printed materials.

Aeromotive expressly retains the right to discontinue at any time and without notice any Aeromotive product that it manufactures or sells.

This warranty is limited and expressly limits any implied warranty to one year from the date of the original retail purchase on all Aeromotive products.

No person, party or corporate entity other than Aeromotive shall have the right to: determine whether or not this Limited Warranty is applicable to any Aeromotive product, authorize any action whatsoever under the terms and conditions of this Limited Warranty, assume any obligation or liability of any nature whatsoever on behalf of Aeromotive under the terms and conditions of this Limited Warranty.

This Limited Warranty covers only the product itself and not the cost of installation or removal.

This Limited Warranty is in lieu of and expressly excludes any and all other warranties, expressed or implied. This Limited Warranty gives you specific legal rights, and you may also have other rights which vary from state to state.